

Engineering Comfort, Elevating Experiences



Stide is dedicated to the innovation and production of advanced seating systems, van parts and vehicle flooring solutions for specialized vehicles.

Since our establishment, we have evolved from a small-scale operation into a global supplier of comprehensive solutions in the field of passenger transport, leisure vehicles and van parts. Our offerings are enhanced by accredited testing facilities, ensuring the highest standards of quality and safety.

GET A QUOTE NOW

Contact us for more information about our products and a member of the sales team will get in touch with you right away

SCAN ME!



ILGAZ - SEAT & BENCH COMBINATIONS

Rock & Roll Beds & Seats



1 Seater
Movable & Fixed Variations



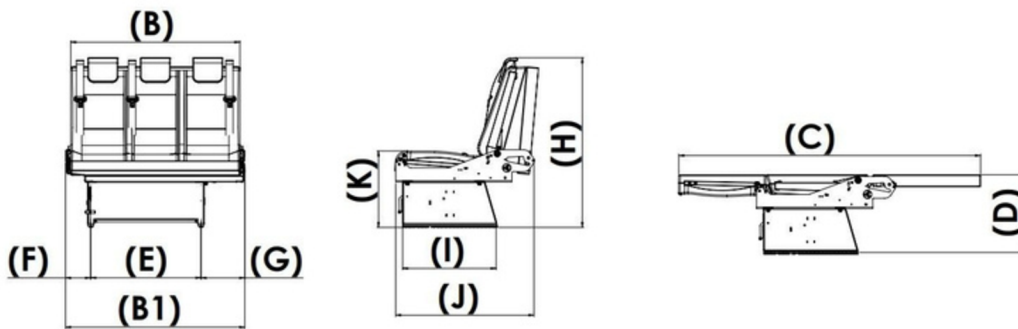
2 Seater
Movable & Fixed Variations



3 Seater
Movable & Fixed Variations

Stide's Rock and Roll Seat Beds are designed to maximize the functionality and comfort of your caravan. These innovative seats easily convert into beds, offering a seamless transition between day and night configurations.

- Movable (Rail System) & Fixed Options
- Coated and Uncoated Options



ILGAZ Models - Seat & Bench Combinations Dimensions

MODEL	CAR	PASSENGER COUNT	B	B1	C	D	E	F	G	H	I	J	K
ILGAZ 630-2-74-120	FORD JUMBO	2	740	805	1200	660	630	-	-	1045	600	835	486
ILGAZ 760-2-108-193	TRANSPORTER T5/T6	2	1080	1145	1927	500	760	160	226	1045	600	885	486
ILGAZ 760-3-108-193	TRANSPORTER T5/T6	3	1080	1145	1927	500	760	160	226	1045	600	885	486
ILGAZ 720-2-93,5-193	JUMPY/SCUDO	2	935	1000	1927	500	720	-	120	1045	600	885	486
ILGAZ 753-2-108-193	TRANSIT CUSTOM	2	1080	1145	1927	500	753	160	280	1045	600	885	486
ILGAZ 753-3-108-193	TRANSIT CUSTOM	3	1080	1145	1927	500	753	160	280	1045	600	885	486
ILGAZ 808-2-80-120	DUCATO/SPRINTER	2	800	865	1200	660	665	-	-	1200	600	835	640
ILGAZ 825-2-108-193	NEW TRANSPORTER/FORD V710	2	1080	1145	1927	500	825	-	250	1045	600	885	486
ILGAZ 825-3-108-193	NEW TRANSPORTER/FORD V710	3	1080	1145	1927	500	825	-	250	1045	600	885	486
ILGAZ 380-1-55-120	TRANSPORTER	1	550	615	1200	500	380	186	46	1045	600	885	486

ILICA - SWIVEL SEAT BASE

Single Swivel Adapter/Mechanism 360°



OPTIONS & VARIATIONS

ILICA V2 - MERCEDES SPRINTER

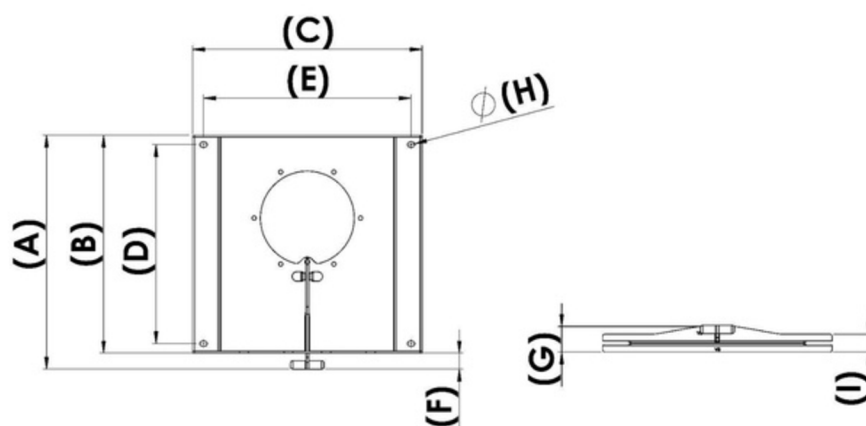
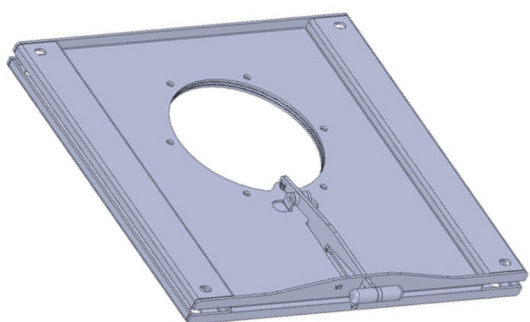
ILICA V3 - VOLKSWAGEN T5 & T6

ILICA V5 - FIAT DUCATO

ILICA V4 - TRANSIT CUSTOM

ILICA V6 - PSA CITROEN JUMPY

ILICA V7 - TRANSPORTER 2024 / FORD V710 **(NEW)**



ILICA Models - Swivel Seat Base Adapters

MODEL	CAR	SEAT TYPE	A	B	C	D	E	F	G	H	I	W (kg)
ILICA V2	SPRINTER / CRAFTER	DRIVER PASSENGER	491	460	460	425	425	31	58	11	43	11,4
ILICA V3	TRANSPORTER T5 T6	DRIVER PASSENGER	450	418	440	382	398	31	49	10	34	10,6
ILICA V4	TRANSIT CUSTOM	DRIVER PASSENGER	492,5	461,5	475	419,5	440	31	56,5	10	41,5	12
ILICA V5	DUCATO	DRIVER PASSENGER	454	423	452	385	410	31	49	9	34 38	12,8
ILICA V6	PSA CITROEN JUMPY	DRIVER PASSENGER	440	370	410	370	373	31	53	10	34	10
ILICA V7	(New) TRANSPORTER 2024 / Ford V710	DRIVER PASSENGER	487	450	460	390	420	31	49	10		11,2

SINGLE SEAT BASES

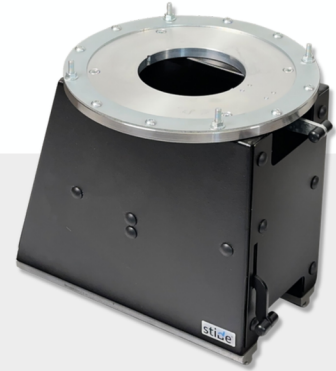
Twin Lock, Easy Lock and Rotatable Single Base



Twin Lock



Easy Lock



Rotatable Easy Lock

Single Seat Bases are engineered to provide robust support and stability for individual seats in your vehicle. These bases are designed with precision, ensuring that your seats remain securely anchored during travel, offering peace of mind and comfort.

VAN PARTS & OTHERS



Rail Solutions and
Composite Floor Systems



Seat Tracks &
Seat Installation Fixtures



Sliding Door Integrated
Camping Table Set

(Suitable for VW Transporter 2024
& Ford V710)

REQUEST FOR QUOTATION

Contact us for more information about our products and a member of the sales team will get in touch with you right away



stide[®]

www.stideparts.com

+90 216 599 05 07
info@stideparts.com