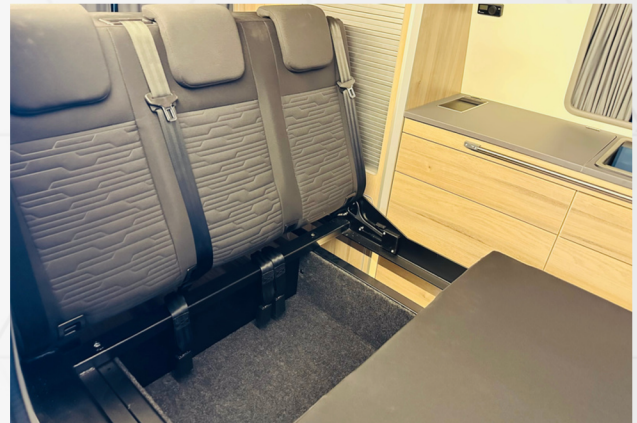


# SEAT & BENCH COMBINATIONS

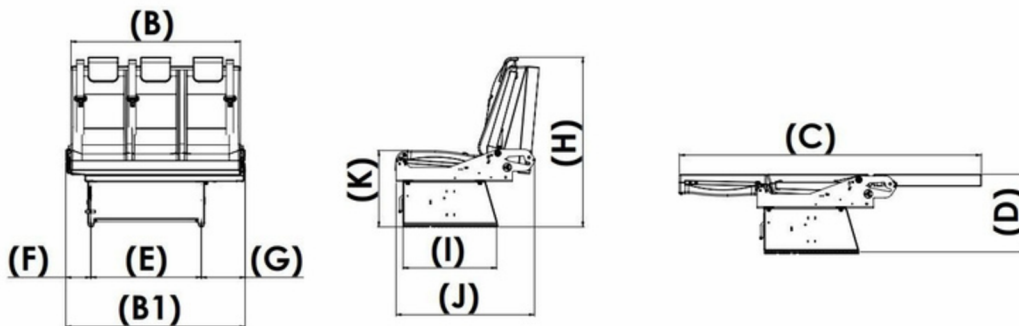


Stide's Rock and Roll Seat Beds are designed to maximize the functionality and comfort of your caravan. These innovative seats easily convert into beds, offering a seamless transition between day and night configurations.

- Movable (Rail System) & Fixed Options
- Coated and Uncoated Options
- Fully protected 3-point seat belts
- Height-adjustable headrests and ISOFIX connections
- Pull Tested for vehicle classes: M1/M2/M3/N1/N2/N3
- Easy to use. Pull the handle and shift
- Highest stability and strength

# SEAT & BENCH COMBINATIONS

Bench, Seat and Rock and Roll Beds



## ILGAZ Models - Seat & Bench Combinations Dimensions

MODEL	CAR	PASSENGER COUNT	B	B1	C	D	E	F	G	H	I	J	K
ILGAZ 630-2-74-120	FORD JUMBO	2	740	805	1200	660	630	-	-	1045	600	835	486
ILGAZ 760-2-108-193	TRANSPORTER T5/T6	2	1080	1145	1927	500	760	160	226	1045	600	885	486
ILGAZ 760-3-108-193	TRANSPORTER T5/T6	3	1080	1145	1927	500	760	160	226	1045	600	885	486
ILGAZ 720-2-93,5-193	JUMPY/SCUDO	2	935	1000	1927	500	720	-	120	1045	600	885	486
ILGAZ 753-2-108-193	TRANSIT CUSTOM	2	1080	1145	1927	500	753	160	280	1045	600	885	486
ILGAZ 753-3-108-193	TRANSIT CUSTOM	3	1080	1145	1927	500	753	160	280	1045	600	885	486
ILGAZ 808-2-80-120	DUCATO/SPRINTER	2	800	865	1200	660	665	-	-	1200	600	835	640
ILGAZ 825-2-108-193	NEW TRANSPORTER/FORD V710	2	1080	1145	1927	500	825	-	250	1045	600	885	486
ILGAZ 825-3-108-193	NEW TRANSPORTER/FORD V710	3	1080	1145	1927	500	825	-	250	1045	600	885	486
ILGAZ 380-1-55-120	TRANSPORTER	1	550	615	1200	500	380	186	46	1045	600	885	486