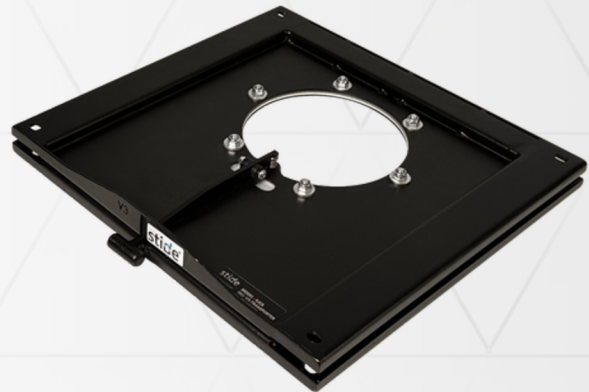


# SWIVEL SEAT BASES



Swivel Seat Bases from Stide bring a new level of flexibility and convenience to your caravan interior. With a full 360-degree rotation capability, these bases allow you to easily adjust seating positions, optimizing space and enhancing the user experience.

- Compatible with both driver and passenger seats.
- Lightweight Design
- The weight varies between 10-13 kg depending on the model you choose.
- Successfully passed pull tests (M1/M2/M3/N1/N2/N3).
- Extremely easy to use: Simply pull the lever and move with ease.
- Preferred in many countries across Europe.
- Made from strong materials that ensure high stability.

# SWIVEL SEAT BASES

Single Swivel Adapter / Mechanism 360°



## OPTIONS & VARIATIONS

ILICA V2 - MERCEDES SPRINTER

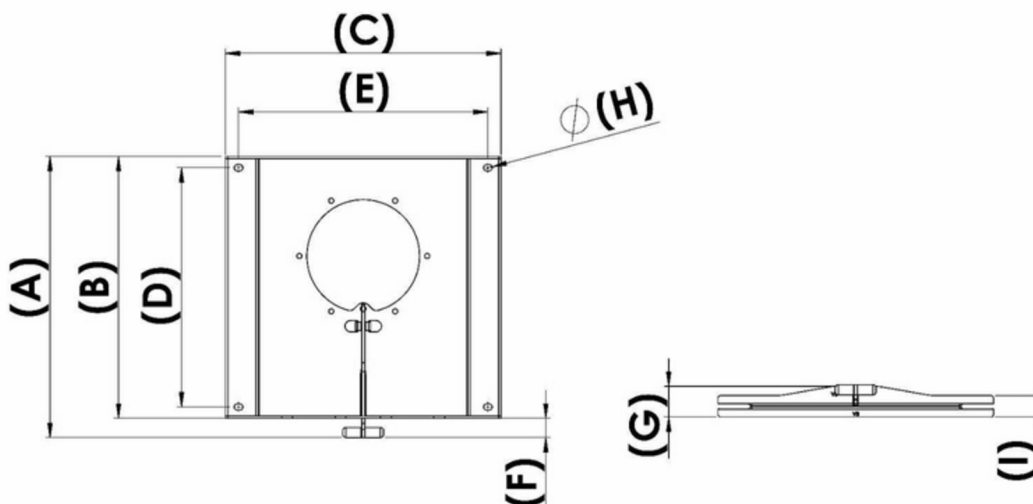
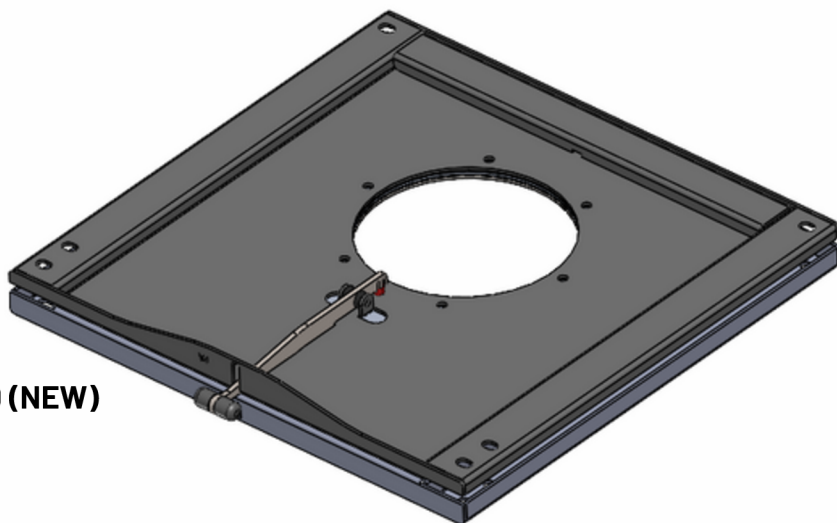
ILICA V3 - VOLKSWAGEN T5 & T6

ILICA V5 - FIAT DUCATO

ILICA V4 - TRANSIT CUSTOM

ILICA V6 - PSA CITROEN JUMPY

ILICA V7 - TRANSPORTER 2024 / FORD V710 **(NEW)**



## ILICA Models - Swivel Seat Base Adapters

MODEL	CAR	SEAT TYPE	A	B	C	D	E	F	G	H	I	W (kg)
ILICA-V2	SPRINTER / CRAFTER	DRIVER   PASSENGER	491	460	460	425	425	31	58	11	43	11,4
ILICA V3	TRANSPORTER T5   T6	DRIVER   PASSENGER	450	418	440	382	398	31	49	10	34	10,6
ILICA V4	TRANSIT CUSTOM	DRIVER   PASSENGER	492,5	461,5	475	419,5	440	31	56,5	10	41,5	12
ILICA V5	DUCATO	DRIVER   PASSENGER	454	423	452	385	410	31	49	9	34	12,8
ILICA V6	PSA CITROEN JUMPY	DRIVER   PASSENGER	440	370	410	370	373	31	53	10	38	10
ILICA V7	(New) TRANSPORTER 2024 / Ford V710	DRIVER   PASSENGER	487	450	460	390	420	31	49	10	34	11,2