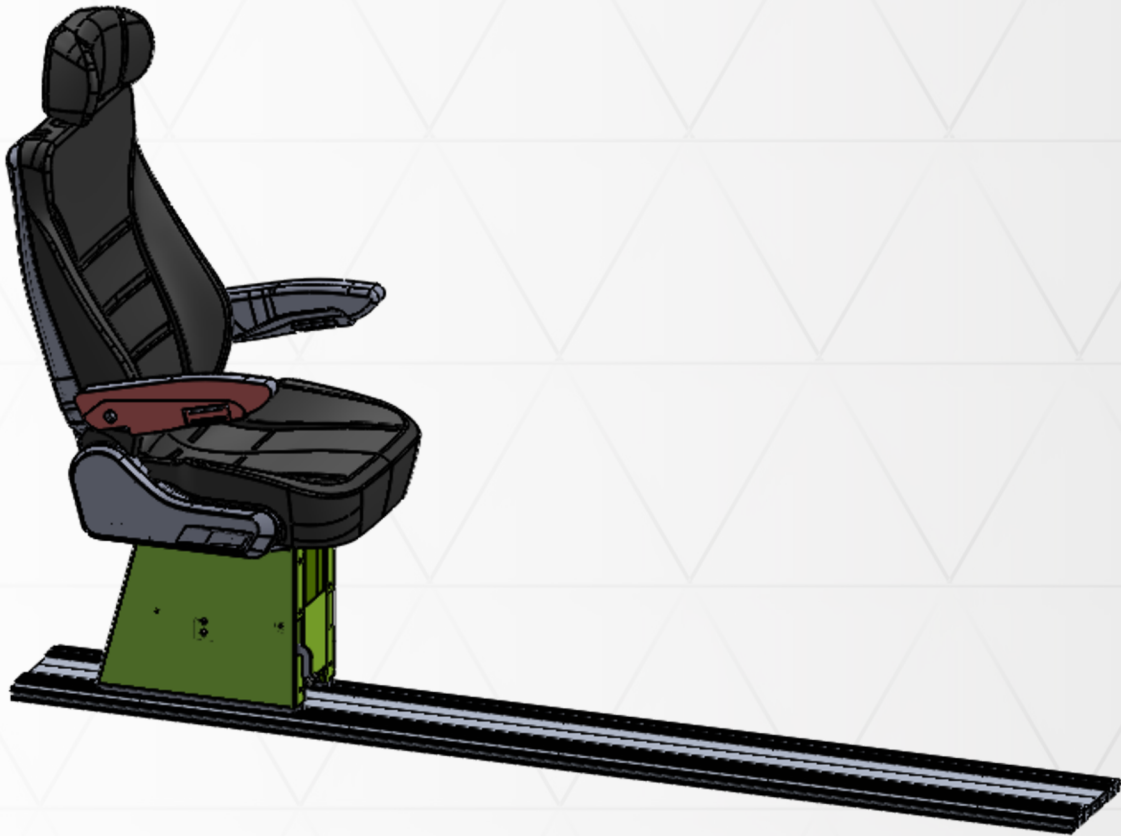


XSG-620 PASSENGER SEAT



The XSG-620 Passenger Seat is designed to provide both comfort and flexibility in vehicle interiors. This seat is compatible with Stide's single seat bases, allowing it to glide smoothly along the floor-mounted double rail system.

Perfect for both passenger transport and camper conversions, this seat can be configured in various layouts, accommodating 2, 4, 6, or even 8 seats to suit different vehicle needs.

- Rail-Compatible
- M1 Tested and Approved
- Lightweight Construction: 26 kg
- Comfort and Convenience

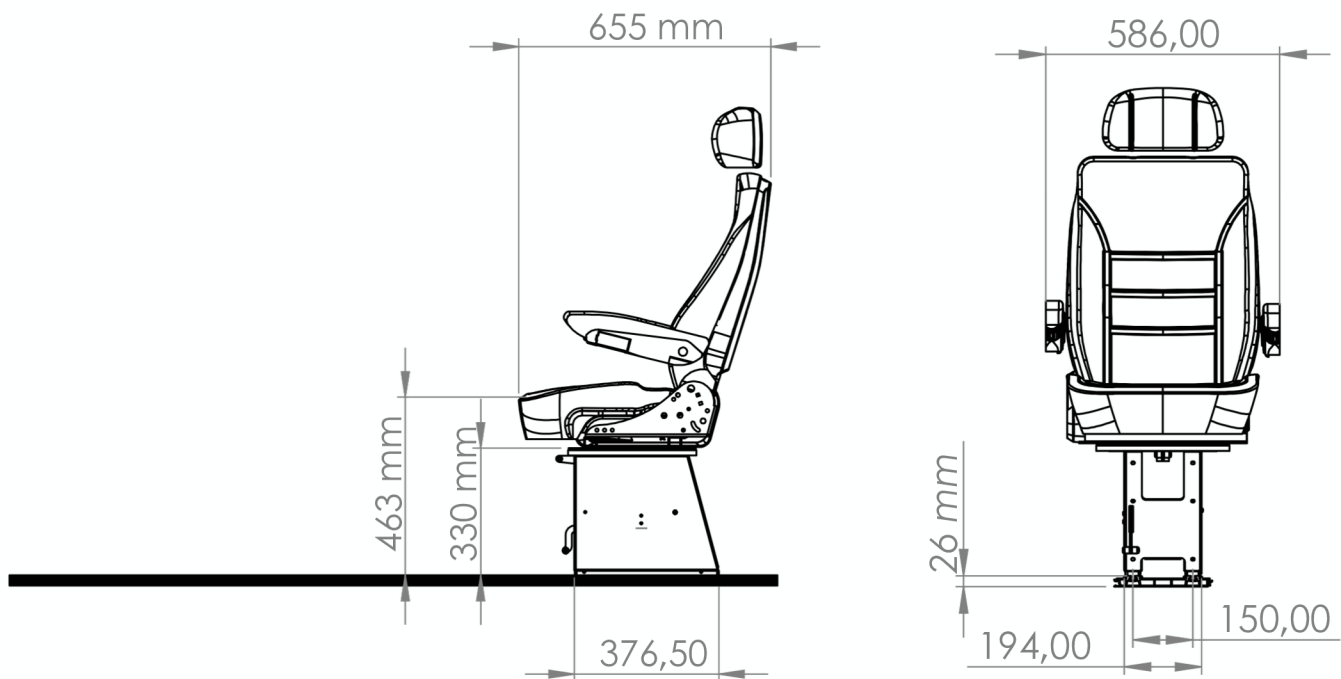
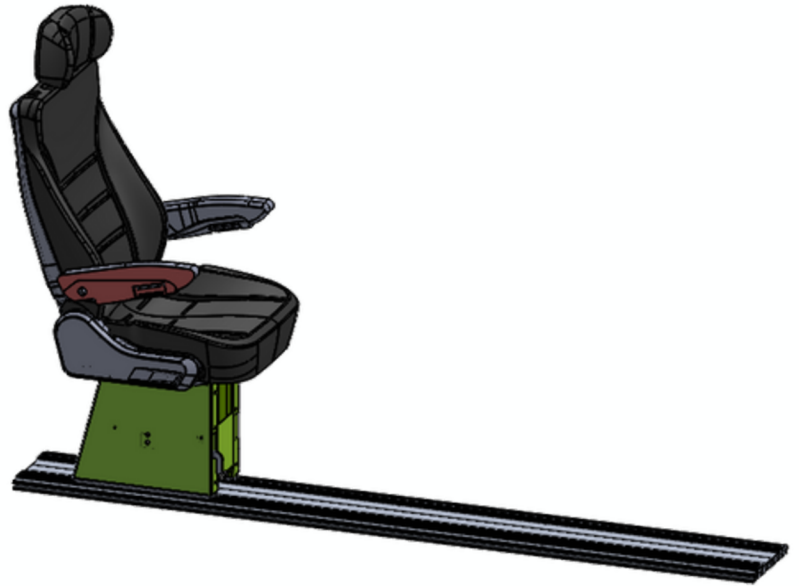
XSG-620 PASSENGER SEAT

M1 Passenger Seat



OPTIONS & VARIATIONS

- One or Two armrest



Please Note: Rails, bases, and additional accessories are not included with the seat and must be purchased separately to complete your configuration.